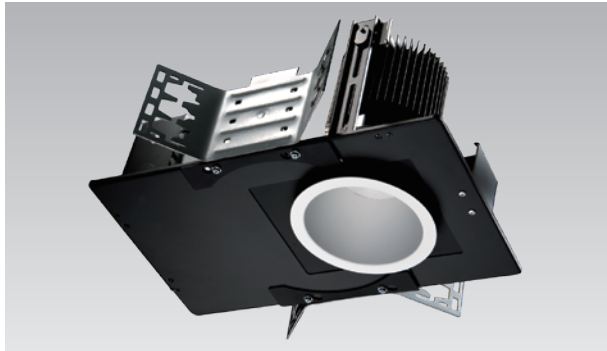


ADVANCED HIGH CEILING

4" REV Series - New Construction



- ColorFlip™ (Please refer to Tunable White Version spec sheet)

Utilizing latest flip chip technology for optimum efficacy, delivering consistent high lumen output with 105LPW at CRI85+ when color-tuning from 2700K to 6500K CCT. It is compatible to all 0-10V and DMX dimming controls.

Quantity		Type	
Project		Note	

Electrical System

- 2010lm (20W)
- 4130lm (40W)
- 6500lm (60W)
- 8400lm (80W)
- Power Input: Universal (120-277V)
- Operating Temperature: -40°F~104°F
- Surge Protection: 4KV
- Emergency Pack with Mounting Plate: Bodine BSL20LV

LED Technology

- 2700K, 3000K, 3500K, 4000K, 5000K
- 85 CRI, 93 CRI
- Beam Angle: 35°, 45°, 55° (Low trim ONLY)
- Rated Life > 60,000 Hours (L70)

Advanced Dimming

(Proprietary VX Driver is incorporated to all dimming options for video flicker-free lighting)

- **Standard 0-10V** dims to 10%
- **Superior 0-10V:** dims to 1%
- **DMX:** high resolution dims to 0.1%
(Supports ANSI E1.20 RDM protocol)

- 20W/40W only:

- **TRIAC:** Line-voltage phase control, dims to 1% (120V only)
- **3-wire:** LUTRON Hi Lume 3-wire, dims to 1% (120V only)
- **ECOsysteM:** LUTRON Hi Lume ECOsysteM, dims to 1 % (120V only)

New Construction

- Non-IC Rated, insulation must be kept > 1ft from housing.
- Aperture: 4.25" (108mm)
- Oversize Trim: 5.25" (133mm)
- Ceiling Cutout: 5" (127mm)
- Maximum Ceiling Thickness: 2" (50.8mm)
- Light engine, optics, and driver(s) accessible from below ceiling
- Weight: 8.8 lbs

***Note: C-Channel / Mounting Channels / T-Bar Hangers are purchased from a third party.**

Warranty

- 5 year limited warranty

Listing

- UL Listed



4" REV Series - New Construction



How To Specify:

Ordering Example: RS4N-80-358-120-STV-35-WHT

4-5 weeks lead time on over 75% of specifications.

Model	Wattage	CCT / CRI	Voltage	Dimming
RS4N				
RS4N REV 4 inch with New Construction frame	20 20W 40 40W 60* 60W 80* 80W <small>*Not compatible with TRIAC, 3-wire and Eco system.</small>	278 2700K / CRI85 308 3000K / CRI85 358 3500K / CRI85 408 4000K / CRI85 508 5000K / CRI85 279 2700K / CRI93 309 3000K / CRI93 359 3500K / CRI93	120 120V 277 277V	NOD Non-Dimming STV Standard 0-10V dims to 10% SPV Superior 0-10V dims to 1% DMX DMX dims to 0.1% (XLR Sockets) DMX(RJ45) DMX dims to 0.1% (RJ45 Sockets) TRC* TRIAC dims to 1% (120V ONLY) 3WIR* LUTRON 3-wire dims to 1% (120V ONLY) ECO* LUTRON ECOsystem dims to 1% (120V ONLY)
				<small>* Not available with 60W/80W.</small>

Beam Angle	Finish	Accessories
35 35° with standard trim 45 45° with standard trim 55 55° with LOW trim	BLK Black WHT White	EMP Remote Emergency Pack

4" REV Series - New Construction



Delivered Lumens* (Standard Trim)

Wattage \ CCT	20W	40W	60W	80W
	Beam Angle: 35°			
5000K	1830 lm	3750 lm	5910 lm	7640 lm
4000K	1720 lm	3540 lm	5580 lm	7210 lm
3500K	1610 lm	3410 lm	5380 lm	6990 lm
3000K	1500 lm	3290 lm	5190 lm	6780 lm
2700K	1380 lm	3130 lm	4920 lm	6310 lm

*Tolerance ± 8%

Current Consumption

Wattage \ Volt	120V	277V
20W	0.22A	0.10A
40W	0.41A	0.18A
60W	0.57A	0.25A
80W	0.77A	0.34A

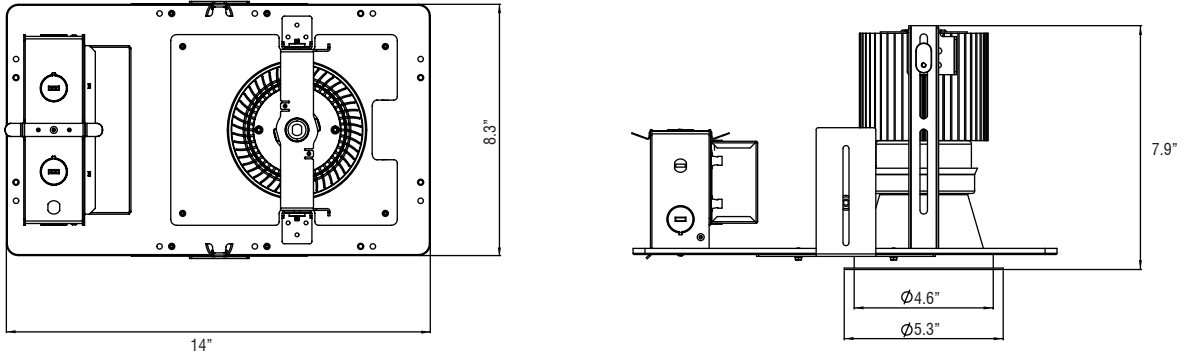
Delivered Lumens* (Low Trim)

Wattage \ CCT	20W	40W	60W	80W
	Beam Angle: 55°			
5000K	2010 lm	4130 lm	6500 lm	8400 lm
4000K	1890 lm	3890 lm	6140 lm	7930 lm
3500K	1770 lm	3750 lm	5920 lm	7690 lm
3000K	1650 lm	3620 lm	5710 lm	7460 lm
2700K	1520 lm	3440 lm	5410 lm	6940 lm

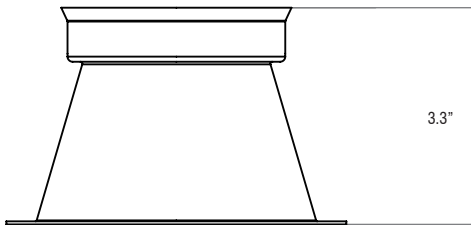
*Tolerance ± 8%

4" REV Series - New Construction

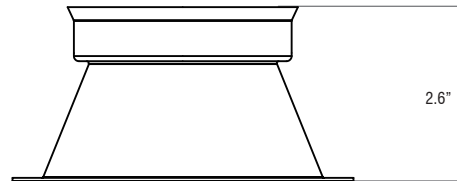
Dimensions



Trim Type



Standard Trim



Low Trim

4" REV Series - New Construction



DMX Requirements

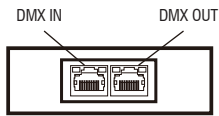
The 4" REV LED fixture with DMX is a ONE CHANNEL DMX unit.

When placing order, please indicate DMX address. (The DMX address will be listed on the back of the fixture.)

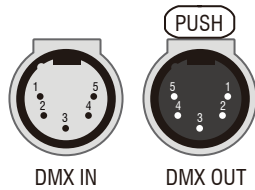
The LED fixture provide RJ45 Socket or XLR socket to connect. (DMX cable NOT included.)

The final fixture should be terminated by the use of DMX Terminator (by others).

RJ45 Sockets



XLR Sockets



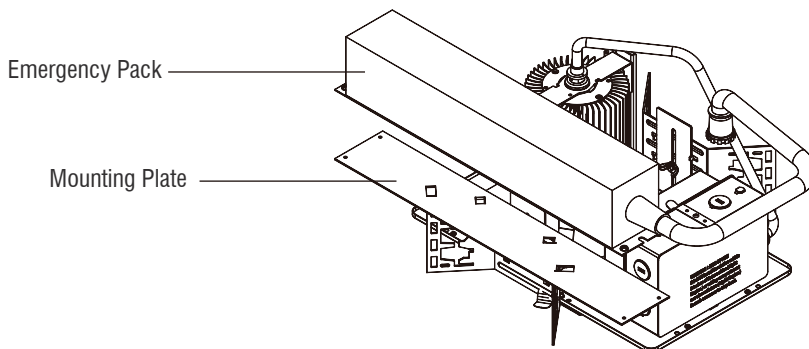
CONNECTION	RJ45 (CAT5e)	5-PIN XLR
Common	WHITE/BROWN(PIN7) & BROWN(PIN 8)	PIN 1
Signal -	ORANGE(PIN 2)	PIN 2
Signal +	WHITE/ORANGE(PIN 1)	PIN 3
Spare	-	PIN 4
Spare	-	PIN 5

Compatible TRIAC Dimmer List

LUTRON PART NO.

RRD-6NA-	RRT-G5NEW-	RRT-GH	HQRD-10ND-	HQRT-GH	HQRD-HN	PD-10NXD-
RRD-6ND	RRT-G25LW-	HQRD-6NA-	MRF2-6ND-120-	HQRT-G25LW-	GT-250M-	PD-5NE-
RRD-10ND-	RRD-HN	HQRD-6ND-	MRF2S-6ND-120-	HQRT-G5NEW-	GTJ-250M-	

Mounting Plate for Emergency Pack



Emergency Pack Lumen Output Table

CCT	2700K	3000K	4000K	5000K
Lumen	1380 lm	1500 lm	1720 lm	1830 lm